

# HIGUARD<sup>2</sup> LPS SERIES

MOTORISED SECURITY BOOTH FOR INTERNAL  
OR SEMI-EXTERNAL INSTALLATION



LPS 1175: Issue 8  
Cert ref 1660d Security rating: C5 (SR3)

**cominfo**

By **GUNNEBO** Entrance Control



# HiGUARD<sup>2</sup> LPS SERIES

HiGuard2 LPS series is a range of security products independently tested and certified to LPS 1175 Issue 8 C5 (SR3) rating. The HiGuard<sup>2</sup> LPS has a transparent and elegant design offering a choice of security levels preventing tailgating and piggybacking. Available in a range of sizes to suit installation requirements.

The doors are always locked shut in the rest position. An authorised signal opens the first door allowing the user to step into the portal where a presence is detected. When the first door is closed, the second door opens, thus allowing the user to pass through. The second door shuts after the unit has been vacated which also resets the system.

The portals include a presence detection system, as standard.

With the addition of one, or a combination of, single person detection systems the portals permit the passage of a single authorised person only.

As an authorised user stands in the portal, it confirms acceptance of the occupant and authorises the exit door to open. When an optional single person system is used and identifies more than one person is present in the portal, the entry door will re-open and a vocal synthesiser will ask the occupants to leave.

The portals are equipped with electronic safety features that reverses the motor to re-open the door upon detection of an obstruction. The door fully opens to allow the obstruction to be removed after which it attempts to reclose.



HIGUARD<sup>2</sup> 6-SQ-L3



HIGUARD<sup>2</sup> 7-SQ-L3



HIGUARD<sup>2</sup> 9-SQ-L3

# TECHNICAL SPECIFICATIONS

## DRIVE

The portal is motorised, driven by geared Brushless DC motors regulating the speed of movement. The safety of the user is ensured by monitoring the presence within the area and safety torque sensing of the drive.

## SECURITY RATING

Certified to LPS 1175 Issue 8 C5 (SR3) rating.

## MATERIALS

<b>STRUCTURE</b>	Mild steel powder coated finish, RAL 9006 matt, FB3- EN1522
<b>GLASS</b>	BR1/S, P4A- 12mm Laminate Safety Glass, EN1063/356
<b>CEILING</b>	Laminated HPL finished Pearl Grey
<b>BASE PLATE</b>	High-strength laminate with finishing in colour Plumb Grey
<b>SLIDING DOOR</b>	Aluminum frame, RAL 7040

## TECHNICAL DATA

<b>POWER SUPPLY</b>	230–240 Vac 50–60 Hz
<b>POWER RATING</b>	230V AC – 1,4 A/115V AC – 2,8 A
<b>LOGIC VOLTAGE</b>	24V DC
<b>OPERATING TEMPERATURE</b>	From 0° to 50°
<b>IP RATING / MCBF / MTTR</b>	IP33/1,5M cycles / less than 30min
<b>FLOW RATES</b> (approx. figures)	Proximity Reader: "Hands Free" 4 passages per minute

## OPTIONS

<b>ALTERNATIVE FINISHES</b>	Mode selector switch
<b>LEFT OBJECT SENSOR</b>	Internal reader mounting
<b>DOUBLE CONTACT MAT</b>	Panic button
<b>WEIGHT SENSING UPGRADE</b>	Emergency push button
<b>ULTRASOUND SINGLE PERSON DETECTION</b>	Heating Kit
<b>NCI SINGLE PERSON DETECTION</b>	I/O expansion board

## POWER FAILURE / FIRE ALARM

In case of power failure, a battery back-up will allow approx. 20 passengers after which the entry door is locked (Fail Lock). While the exit door remains unlocked (Fail Safe) allowing it to be manually opened by anyone inside the portal.

## LIGHT

A low voltage light is positioned internally on the ceiling.

## LEFT ITEM DETECTION

An additional left object sensor is able to detect the presence of a metallic object of the size of 50×50×30mm left inside the portal.

## APPLICATIONS

Head offices  
Banking  
Government  
Military  
Data centres  
Pharmaceuticals  
Information technology  
R & D  
Security publishing  
Law enforcement  
Critical national infrastructure

# TECHNICAL SPECIFICATION

## SINGLE PERSON DETECTION (optional upgrades available)

### 1. Ultrasound

Detection via high-frequency waves. Permitted access only when the volume present in the portal is within the configured threshold.

### 2. Double Contact Mat

Digital detection based on the limitation of space. The mat has two zones, with one small inner zone. If pressure is applied outside the inner zone, passage will not be permitted. Can be combined with Ultrasound.

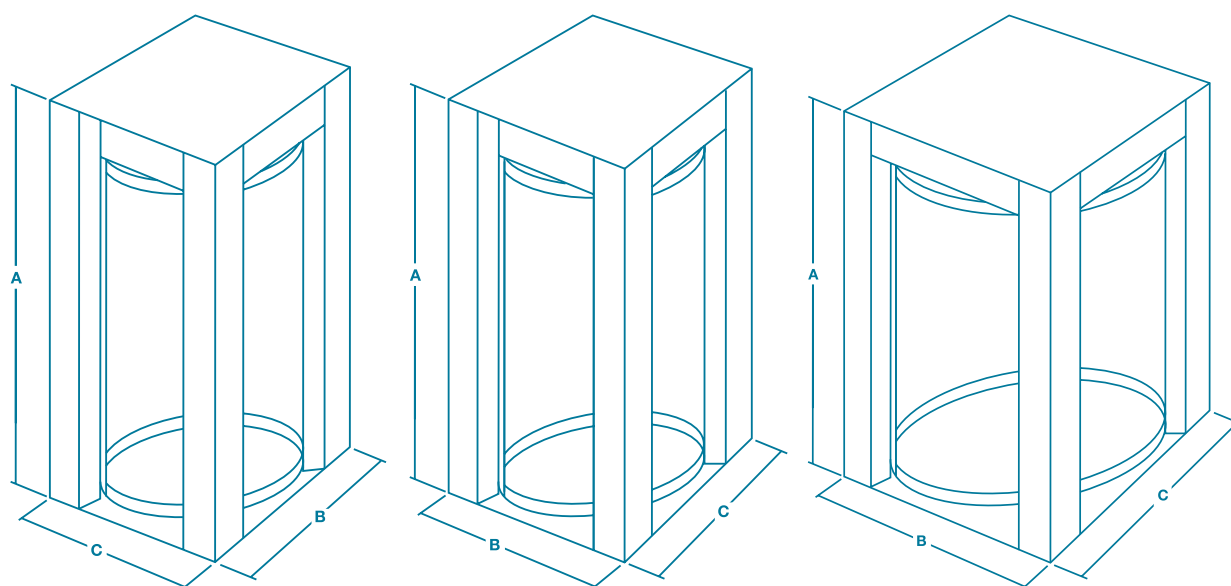
### 3. Weight Sensing

Detection via load cell. Weight is used to decide whether to accept or reject passage. 3 modes available: Maximum weight mode (standalone), weight banding mode, and actual weight mode (integrated with access control). Can be combined with Ultrasound.

### 4. NCI

Unique advanced image analytics, AI and a dual camera system. Detects and counts the number of people inside the portal. This standalone system ensures passage of one person only without being affected by other items inside the portal e.g bags, wheelchairs.

## SITE PREPARATION



HIGUARD<sup>2</sup> 6-SQ-L3

HIGUARD<sup>2</sup> 7-SQ-L3

HIGUARD<sup>2</sup> 9-SQ-L3

# SITE PREPARATION

## DIMENSIONS AND WEIGHT

	PASSAGE HEIGHT	PASSAGE WIDTH	A CABINET HEIGHT <sup>1</sup>	B CABINET LENGTH <sup>2</sup>	C CABINET WIDTH <sup>3</sup>	WEIGHT <sup>4</sup>
HiGuard <sup>2</sup> 6-SQ-L3	2100	600	2381	1050	1050	750 kg
HiGuard <sup>2</sup> 7-SQ-L3	2100	700	2381	1150	1150	950 kg
HiGuard <sup>2</sup> 9-SQ-L3	2100	900	2381	1500	1500	1040 kg

<sup>1,2,3</sup> Dimensions in mm | <sup>4</sup> Weight in kg | May require lifting equipment. For details refer to installation detail drawings.

Product is delivered fully assembled and requires lifting equipment.

Concrete Base to specification at least (cube) 30N/mm<sup>2</sup> of resistance.  
Base to be flat and level to +/-5mm over footprint area.

Dimensions to be as below table:

## CONCRETE BASE DIMENSIONS

HiGuard <sup>2</sup> 6-SQ-L3	1150mm × 1150mm × 150mm deep min
HiGuard <sup>2</sup> 7-SQ-L3	1250mm × 1250mm × 150mm deep min
HiGuard <sup>2</sup> 9-SQ-L3	1650mm × 1650mm × 150mm deep min

**IMPORTANT:** Any horizontal pipe or conduit running below the MTR must be at least 140 mm below FFL. Metal conduit for cables should be raised at least 50 mm from foundation. It is the customer's responsibility to ensure the structural integrity and strength of the installation location. The dimensions given in this Product Data Sheet are for information only. In order to prepare the installation site, please refer to your usual COMINFO Customer Service contact.

**CONDITIONS OF USE:** When using COMINFO's security access control gates, for security and safety reasons, children must always be supervised by an adult.

# SECURITY CERTIFICATION COMPLIANCY

## LPS CERTIFIED

The HiGuard<sup>2</sup> LPS range portals are certified to loss prevention product standards, a globally recognised and trusted benchmark of resistance and unauthorised access for high security environments.

These products have been independently and rigorously tested under strict conditions by BRE Global Governing Body to withstand intruder threat and attack, and have hereby successfully met the resistance and delay requirements appropriate to the level of certification.

This standard identifies that the evaluation and testing practices undertaken by LPCB confirm that

- the product or service meets the standard;
- the manufacturer or service provider has staff, processes and systems in place to ensure that the product or service delivered meets the standard items inside the portal e.g bags, wheelchairs.



LPS 1175: Issue 8  
Cert ref 1660d Security rating: C5 (SR3)

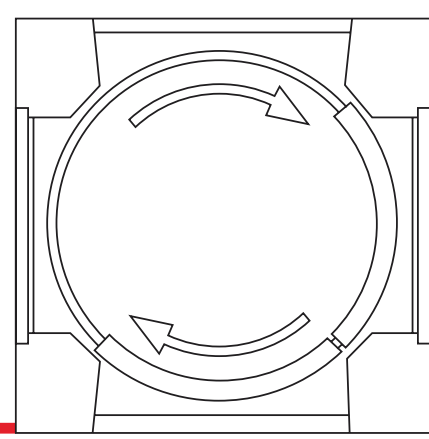
Delay	10 minutes	C10
	5 minutes	C5 (SR3)
	3 minutes	C3
	1 minute	C1

Tool Kit C
Tool kit A and B +
Axe 350mm long
Brick bolsters 250mm long
Cold chisels 250mm long
Crowbar 700mm long
Cordless drill
Drill bit 10mm dia
Gas torch
Hacksaw
Hammer 400mm long
Padsaw
Scissor jack
Wood chisels

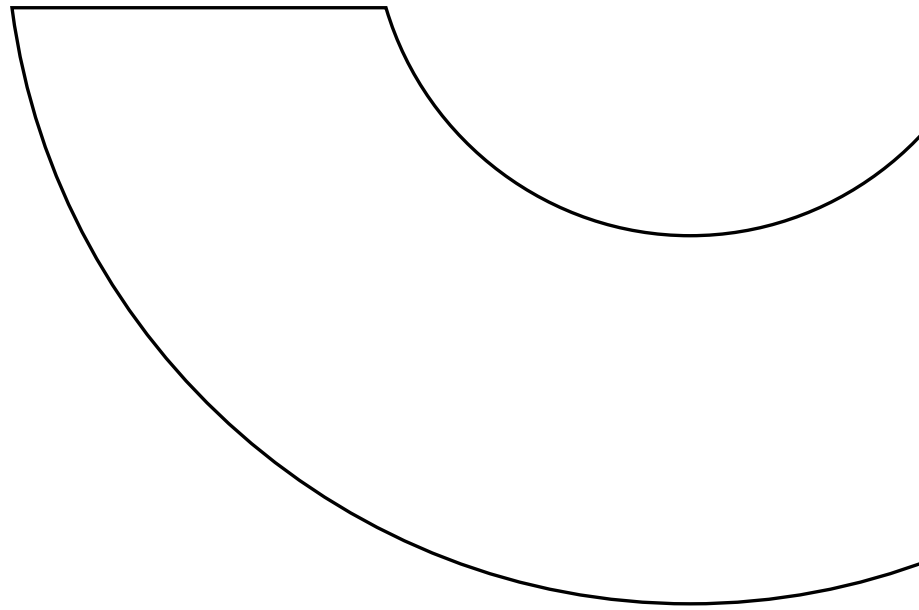
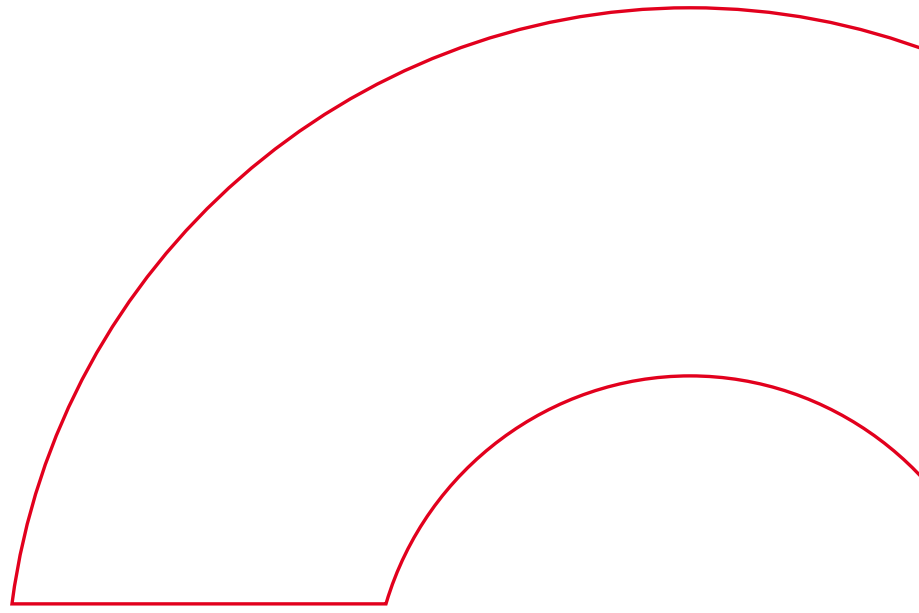
## INSTALLATION COMPLIANCE

In order that the HiGuard<sup>2</sup> LPS series remains compliant to the LPS certification of which it has been approved, it is imperative that the structure in which the portal is installed remains in the location indicated in the right most illustration, indicated by a thick red line.

SECURE SIDE



NON-SECURE SIDE



**cominfo**

By **GUNNEBO** Entrance Control

COMINFO, a.s. | Nabrezi 695, 760 01 Zlin-Prstne, Czech Republic | +420 603 151 333 | [cominfo@cominfo.cz](mailto:cominfo@cominfo.cz)